

1914

CATALOGUE AND PRICE LIST

SECTION D

Cable Poles

Cable Poles with Relay Boxes

Cable Poles with Indicators

Cable Poles with Relay Boxes and Battery Chutes

Indicators with Posts

Relay Boxes with Posts

Relay Boxes with Posts and Battery Chutes

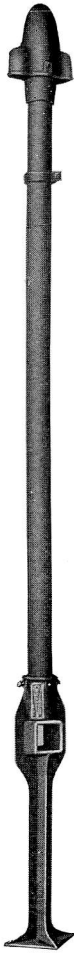
Foundation Bases

Pinnacles

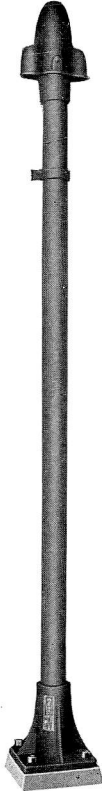
Cable Outlets

Ventilators

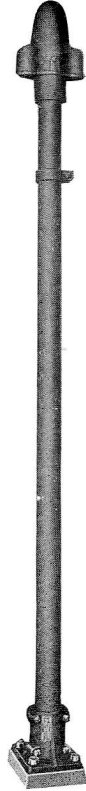
CABLE POSTS



No. 100-1



No. 100



No. 100-2

Above Cable Posts are furnished with 3" pipe (3½" O. D.) and 4" (4½" O. D.) pipe as listed. Height above bases, 9 feet. Pipe is well fastened and calked into bases and pinnacles, and messenger wire clamp fastened to pipe. For detail description of bases, pinnacles, etc., see separate catalogue illustrations.

Trade No.	DESCRIPTION	List Price
100	Cable Posts complete with Style A Base, 9 feet 3" Pipe, Cable Pinnacle and Messenger Clamp, each.....	\$15.00
100-4	Same as above but with 9 feet 4" Pipe.....	18.00
100-1	Cable Post complete with Style B Base, 9 feet 3" Pipe, Cable Pinnacle and Messenger Clamp, each.....	15.75
100-5	Same as above but with 9 feet 4" Pipe.....	19.00
100-2	Cable Post complete with Style C Base, 9 feet 3" Pipe, Cable Pinnacle and Messenger Clamp.....	15.50
100-6	Same as above but with 9 feet 4" Pipe.....	18.50



CABLE POLES AND RELAY BOXES



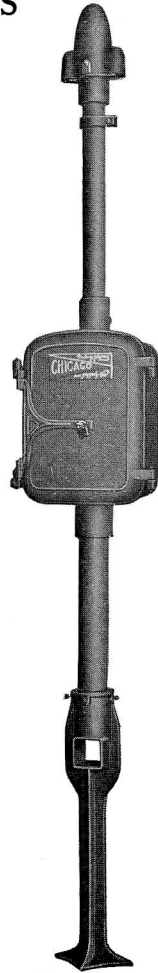
No. 101
No. 102



No. 101-1
No. 102-1



No. 101-3
No. 102-3



No. 101-2
No. 102-2

These Combination Cable Poles and Relay Boxes are shipped as complete units ready to install. All joints are well fastened mechanically and calked watertight. For description of parts see separate catalogue illustrations and descriptions elsewhere.

Trade No.	DESCRIPTION	List Price
101	Combination Cable Pole and Relay Box with Style A Relay Box, Cable Pinnacle, Messenger Clamp, Style A Base, 3" Pipe, top and bottom, height 9' complete as shown.....	\$49.00
102	Same as No. 101 except fitted with 4" Bottom Pipe.....	49.55
101-1	“ “ “ 101 “ “ “ Style C Base.....	49.50
102-1	“ “ “ 102 “ “ “ “ “	50.05
101-2	“ “ “ 101 “ “ “ “ B “	49.75
102-2	“ “ “ 102 “ “ “ “ “	50.50
101-3	Combination Cable Post and Relay Box complete as shown, consisting of No. 150 Cable Pinnacle, Messenger Clamp, Style A Relay Box, Style No. 138-1 Base and Post, height 9'	
102-3	Same as above but with No. 138 Base and Post.....	46.55
	For No. 189 Ventilators on any of above Relay Boxes, add to list price for each Ventilator.....	1.20



CABLE POLES WITH RELAY BOXES



No. 102-4

These Cable Poles and Relay Boxes are furnished with 3" (3½" O. D.) or 4" (4½" O. D.) steel pipe in one piece and are preferred by some as joints in pipe are obviated. They are equipped with Standard Cable Post Pinnacles and Messenger Wire Clamps and are furnished with any of our Standard Bases as listed.

They are furnished with any Relay Box which is held to pole with U Bolts and Iron Filler Blocks. The Filler Blocks have large wire openings which completely conceal and protect the wires where they pass from pole into box.

For detail description, sizes, etc., see separate catalogue illustrations elsewhere.

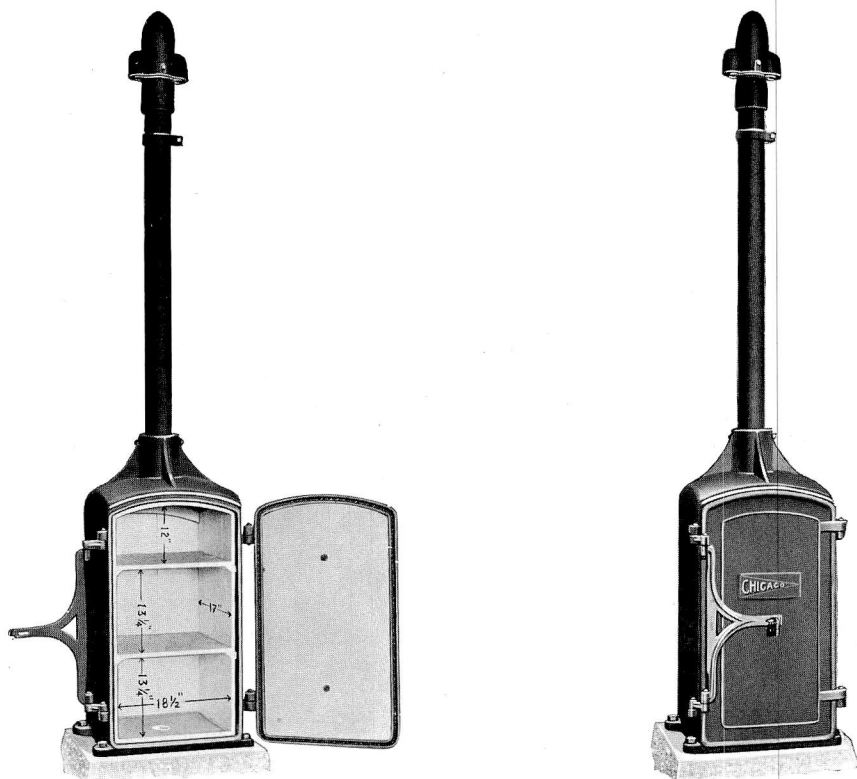


No. 101-23

Trade No.	DESCRIPTION	List Price
101-4	Cable Pole and Relay Box complete with Style A Relay Box, Cable Pinnacle, Messenger Clamp, Style A Base, 3" (3½" O. D.) Pole, height 9'.....	\$47.90
101-22	Same as above but with Style B Relay Box.....	39.25
101-23	“ “ “ “ “ “ C “ “	37.40
101-24	“ “ “ “ “ “ D “ “	34.15
101-25	“ “ “ “ “ “ E “ “	32.15
102-4	“ “ No. 101-4 but with 4" (4½" O. D.) Pole.....	51.90
102-22	“ “ above but with Style B Relay Box.....	43.25
102-23	“ “ “ “ “ “ C “ “	41.40
102-24	“ “ “ “ “ “ D “ “	38.15
102-25	“ “ “ “ “ “ E “ “	36.15
	For Style B Base on No. 101 Poles, add to list price.....	.75
	“ “ C “ “ “ 102 “ “ “ “	1.00
	“ “ “ “ “ “ 101 “ “ “ “50
	“ “ “ “ “ “ 102 “ “ “ “50
	For No. 189 Ventilator on any of above Relay Boxes, add to list price for each Ventilator.....	1.20

Above can also be furnished with any desired type wood Relay Box. Orders should specify style of base required on above and whether box shall be ventilated or plain.

CABLE POLE WITH SPECIAL LARGE RELAY BOX



Combination Cable Pole and Relay Box No. 102-13

This style Cable Pole with Relay Box is used at locations requiring many Relays, Lightning Arresters, Terminals and often soda or storage batteries. The Relay Box is very heavy and strong, and has a wood inner lining with a dead air space all around making it dust and frost proof. The outer iron door has a spring-backed wood frost door that closes tightly on wood lining. The iron door is provided with double toggle locking device, which holds door closed tightly against gasket. Furnished with 4" (4½" O. D.) pipe pole complete with Cable Pinnacle and Messenger Clamp or with special poles as specified. Relay Box may be divided differently with special wood compartments having more suitable dimensions if desired. Foundation Bolt Spacing on No. 350 Relay Box is 15½" x 23½".

Trade No.	DESCRIPTION	List Price
102-13	Cable Pole with No. 350 Relay Box, complete as illustrated . .	\$113.50
102-27	Same as above but equipped with two No. 189 Ventilators. .	115.90
350	Relay Box only complete with wood lining (no pole or pinnacle)	95.50
350-27	Same as above but equipped with two No. 189 Ventilators. .	97.90

RELAY BOXES WITH CABLE POSTS AND BATTERY CHUTES



No. 105
With Single
Battery Chute

No. 105
With Double
Battery Chute

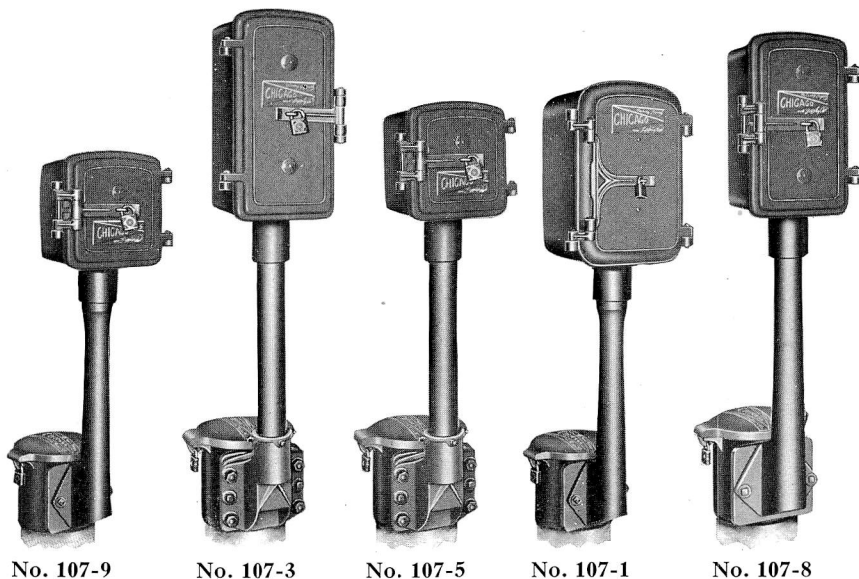
No. 105-1
With Single
Battery Chute

No. 105-1
With Double
Battery Chute

The above styles correspond to our Standard Style Relay Boxes and Cable Posts except that a suitable Battery Chute is used instead of foundation base. Furnished fitted up complete with single or double chute of any length and required elevators. For description of Relay Boxes, Battery Chutes, etc., see separate listing elsewhere.

Trade No.	DESCRIPTION	List Price
105	Combined Cable Post, Relay Box and Battery Chute, consisting of Relay Box No. 160-2, Cable Pinnacle No. 150, Socket No. 134 and Guy Wire Clamp, 3½" Pipe throughout, (specify Trade No. of Chute desired), complete as shown
106	Same as above but with Relay Box No. 160-3 Socket No. 135, 3½" Pipe on top and 4½" Pipe on bottom
105-1	Combined Cable Post, Relay Box and Battery Chute, Relay Box No. 160-2 Cable Pinnacle No. 150, Combination Bracket and Post No. 139 and Guy Wire Clamp, (specify Trade No. of Battery Chute desired)
106-1	Same as above but with 160-3 and Combination Bracket and Post No. 139...

RELAY BOXES AND BATTERY CHUTES



These Relay Boxes and Posts correspond to our Standard Styles except that a Battery Chute is used for foundation. Furnished complete as shown with any of our single or double chutes, the trade number of which should be specified on orders. For detail description of parts see separate illustrations elsewhere.

Trade No.	DESCRIPTION	List Price
107	Combined Style A Relay Box, Battery Chute and 2½ feet 3" Pipe fastened in Chute Socket and Relay Box.....
107-2	Same as above except with Style B Relay Box.....
107-3	“ “ “ “ “ “ C “ “
107-4	“ “ “ “ “ “ D “ “
107-5	“ “ “ “ “ “ E “ “
108	Same as No. 107 except with 4" (4½" O. D.) Pipe.....
108-2	“ “ above except with Style B Relay Box.....
108-3	“ “ “ “ “ “ C “ “
108-4	“ “ “ “ “ “ D “ “
108-5	“ “ “ “ “ “ E “ “
107-1	Combined Style A Relay Box, Battery Chute and one piece Base No. 139 fastened in Relay Box and to Chute.....
107-6	Same as above except with Style B Relay Box.....
107-7	“ “ “ “ “ “ C “ “
107-8	“ “ “ “ “ “ D “ “
107-9	“ “ “ “ “ “ E “ “

Above can also be furnished with any desired style wood Relay Boxes.



RELAY BOXES AND POSTS



No. 103

No. 103-4

No. 103-5

No. 103-6

No. 103-7

These Posts are furnished equipped with any of our different Relay Boxes or Bases. Above illustrations serving to show only a few combinations. Posts are shipped complete as shown with all joints well fastened and calked. For detail description of Relay Boxes and Bases, see separate illustrations elsewhere.

Trade No.	DESCRIPTION	List Price
103	Relay Box and Post complete with Style A Relay Box, Style A Base and 3 feet 3" (3½" O. D.) Pipe.....	\$39.25
103-4	Same as above but with Style B Relay Box.....	31.60
103-5	" " " " " " C " " ".....	29.75
103-6	" " " " " " D " " ".....	26.50
103-7	" " " " " " E " " ".....	24.50
	Style B Base on any above, extra.....	.75
	C " " " " " " " " ".....	.50
104	Same as No. 103 except with 3 feet 4" (4½" O. D.) Pipe....	39.80
104-4	" " " " " " " " " " " " ".....	32.15
104-5	" " " " " " " " " " " " ".....	30.30
104-6	" " " " " " " " " " " " ".....	27.05
104-7	" " " " " " " " " " " " ".....	25.05
	Style B Base on any above, extra.....	1.00
	C " " " " " " " " " " " " ".....	.50
	For No. 189 Ventilator on any of the above Relay Boxes add to list price for each Ventilator.....	1.20

Orders should specify style of Base required on above and whether Box shall be ventilated or plain.

RELAY BOXES AND POSTS



No. 103-3

No. 103-8

No. 103-9

No. 103-10

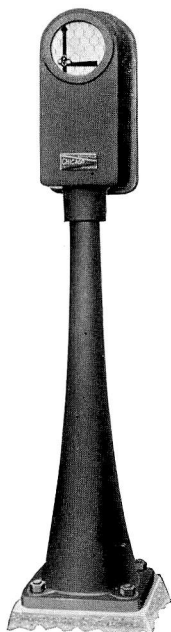
No. 103-11

The above Combination Posts with Relay Boxes have the advantage that Base and Post is a one-piece casting, symmetrical and neat in appearance, and of great strength. There are no joints to work loose. The Base is hollow, allowing easy wiring. For detailed description of Relay Boxes and Bases see separate listing elsewhere.

Trade No.	DESCRIPTION	List Price
103-3	Style A Relay Box with No. 138-1 Base and Post.....	\$39.30
103-8	“ B “ “ “ “ “ “ “ “ “	31.15
103-9	“ C “ “ “ “ “ “ “ “ “	29.30
103-10	“ D “ “ “ “ “ “ “ “ “	26.05
103-11	“ E “ “ “ “ “ “ “ “ “	24.05
104-3	Style A Relay Box with No. 138 Base and Post.....	39.30
104-8	“ B “ “ “ “ “ “ “ “ “	31.15
104-9	“ C “ “ “ “ “ “ “ “ “	29.30
104-10	“ D “ “ “ “ “ “ “ “ “	26.05
104-11	“ E “ “ “ “ “ “ “ “ “	24.05
	For No. 189 Ventilator on any of the above Relay Boxes add to list price for each Ventilator.....	1.20



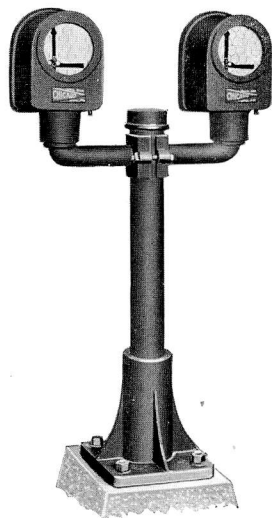
INDICATORS WITH POSTS



Indicator with Style
138 Base Post



Indicator with Style C
Base and 2 1/2" Pipe Post



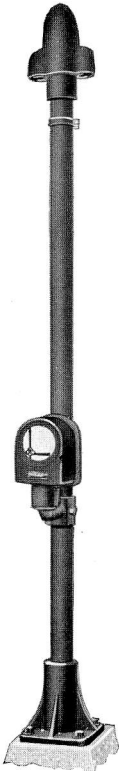
Two Indicators with Style
A Base and 3" Pipe Post

Trade No.	DESCRIPTION	List Price
115-41	Post with Style 138 Base complete with one 1651-1 Indicator.	\$44.20
115-42	“ “ “ “ “ “ “ “ “ “ 1651-2 “ .	44.20
115-43	“ “ “ “ “ “ “ “ “ “ 1651-3 “ .	40.70
115-44	“ “ “ “ “ “ “ “ “ “ 1651-4 “ .	40.70
115-45	“ “ “ “ “ “ “ “ “ “ 1652-1 “ .	48.20
115-46	“ “ “ “ “ “ “ “ “ “ 1652-2 “ .	48.20
115-47	“ “ “ “ “ “ “ “ “ “ 1652-3 “ .	44.70
115-48	“ “ “ “ “ “ “ “ “ “ 1652-4 “ .	44.70
115-51	Post with Style C Base and 2 1/2" Pipe with one 1651-1 Indicator.	44.30
115-52	“ “ “ “ “ “ “ “ “ “ “ “ 1651-2 “ .	44.30
115-53	“ “ “ “ “ “ “ “ “ “ “ “ 1651-3 “ .	40.80
115-54	“ “ “ “ “ “ “ “ “ “ “ “ 1651-4 “ .	40.80
115-55	“ “ “ “ “ “ “ “ “ “ “ “ 1652-1 “ .	48.30
115-56	“ “ “ “ “ “ “ “ “ “ “ “ 1652-2 “ .	48.30
115-57	“ “ “ “ “ “ “ “ “ “ “ “ 1652-3 “ .	44.80
115-58	“ “ “ “ “ “ “ “ “ “ “ “ 1652-4 “ .	44.80
115-61	Post with Style A Base and 3" Pipe with two 1651-1 Indicators	90.50
115-62	“ “ “ “ “ “ “ “ “ “ “ “ 1651-2 “ .	90.50
115-63	“ “ “ “ “ “ “ “ “ “ “ “ 1651-3 “ .	83.75
115-64	“ “ “ “ “ “ “ “ “ “ “ “ 1651-4 “ .	83.75
115-65	“ “ “ “ “ “ “ “ “ “ “ “ 1652-1 “ .	98.75
115-66	“ “ “ “ “ “ “ “ “ “ “ “ 1652-2 “ .	98.75
115-67	“ “ “ “ “ “ “ “ “ “ “ “ 1652-3 “ .	91.75
115-68	“ “ “ “ “ “ “ “ “ “ “ “ 1652-4 “ .	91.75

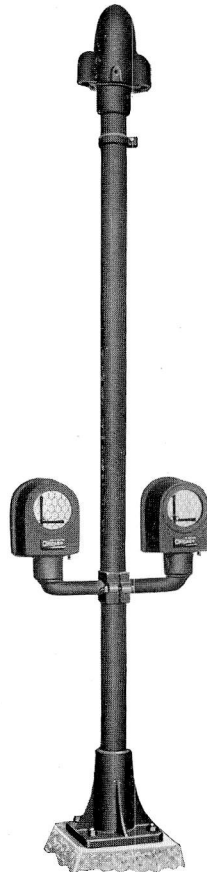
Above Indicator Posts can be furnished equipped with any one of our numerous styles of Bases. For description of Indicators, Bases, etc., see separate illustrations elsewhere.



CABLE POLES WITH INDICATORS



Cable Pole with One Indicator

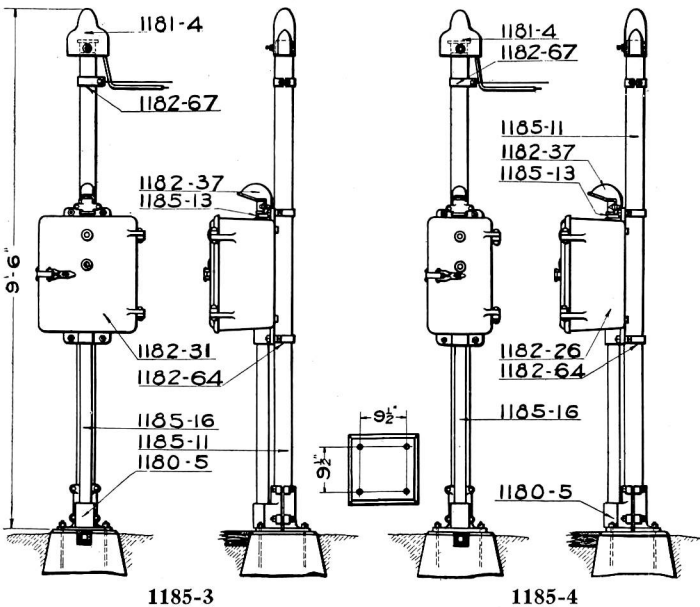
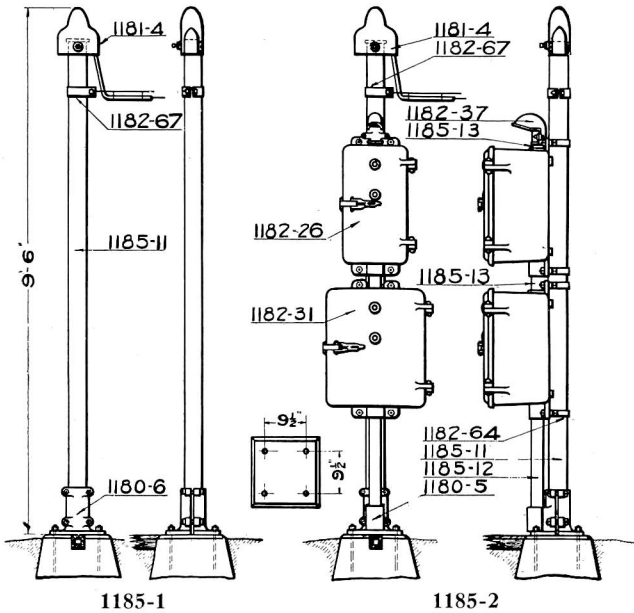


Cable Pole with Two Indicators

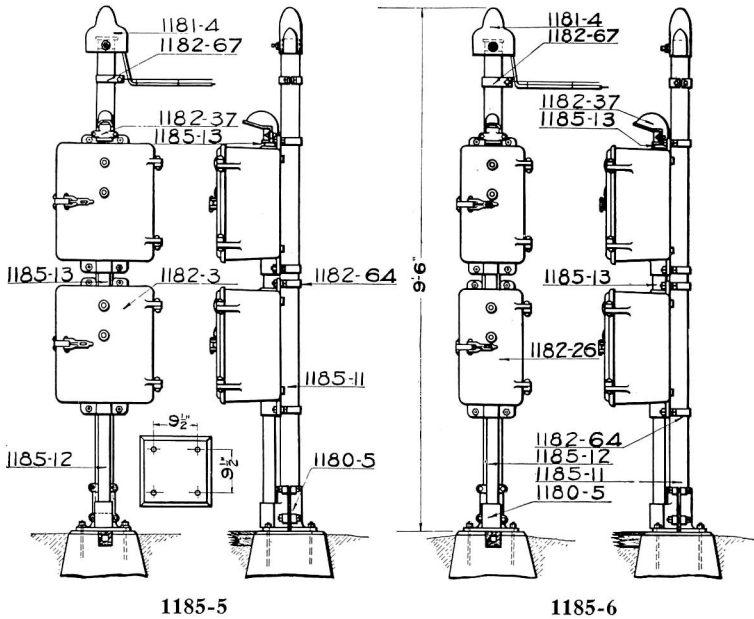
Trade No.	DESCRIPTION	List Price
115-1	Cable Pole No. 100 with one Indicator No. 1651-1.....	\$56.50
115-2	“ “ “ “ “ “ “ “ “ “ 1651-2.....	56.50
115-3	“ “ “ “ “ “ “ “ “ “ 1651-3.....	53.00
115-4	“ “ “ “ “ “ “ “ “ “ 1651-4.....	53.00
115-5	“ “ “ “ “ “ “ “ “ “ 1652-1.....	60.50
115-6	“ “ “ “ “ “ “ “ “ “ 1652-2.....	60.50
115-7	“ “ “ “ “ “ “ “ “ “ 1652-3.....	57.00
115-8	“ “ “ “ “ “ “ “ “ “ 1652-4.....	57.00
115-11	“ “ “ “ “ “ two Indicators “ 1651-1.....	98.00
115-12	“ “ “ “ “ “ “ “ “ “ “ 1651-2.....	98.00
115-13	“ “ “ “ “ “ “ “ “ “ “ 1651-3.....	91.00
115-14	“ “ “ “ “ “ “ “ “ “ “ 1651-4.....	91.00
115-15	“ “ “ “ “ “ “ “ “ “ “ 1652-1.....	106.00
115-16	“ “ “ “ “ “ “ “ “ “ “ 1652-2.....	106.00
115-17	“ “ “ “ “ “ “ “ “ “ “ 1652-3.....	99.00
115-18	“ “ “ “ “ “ “ “ “ “ “ 1652-4.....	99.00

For description of Cable Poles, Indicators, etc., see separate illustrations elsewhere. Above Combination Cable Poles and Indicators can also be furnished with any of our other styles of Cable Poles at difference in price.

R. S. A. CABLE POLES WITH RELAY BOXES



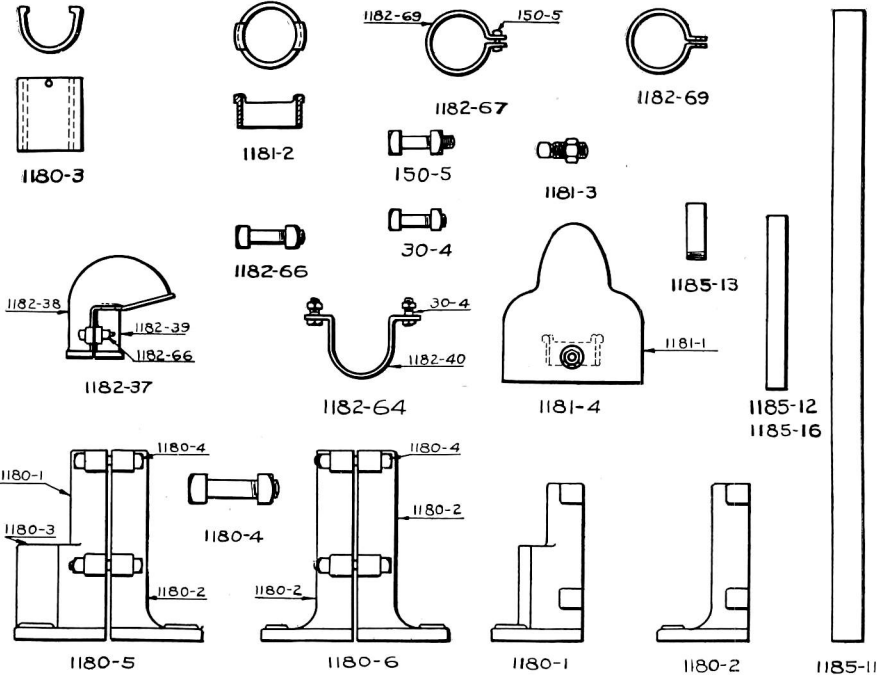
R. S. A. CABLE POLES WITH RELAY BOXES



The Cable Poles illustrated above are in accordance with R. S. A. Drawings No. 1180 to 1185. This Design permits any number of Relay Boxes up to four to be mounted on one Pole, allowing also any combination of the two sizes of R. S. A. Relay Boxes to be used. 3 1/2" (4" O. D.) Pipe is used on Cable Poles and 2 1/2" (2 7/8" O. D.) Pipe on Relay Boxes. The Fittings here listed are made to fit these pipe sizes. Prices for special combinations not shown will be furnished on application.

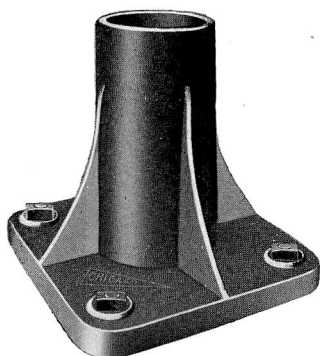
Trade No.	DESCRIPTION	List Price
1185-1	R. S. A. Cable Pole complete with Base, Pinnacle and Messenger Clamp.	\$17.00
1185-2	R. S. A. Cable Pole with one Size "A" and one Size "B" Relay Box.	95.00
1185-3	R. S. A. Cable Pole complete with one Size "B" R. S. A. Relay Box.	65.75
1185-4	R. S. A. Cable Pole complete with one Size "A" R. S. A. Relay Box.	52.00
1185-5	R. S. A. Cable Pole complete with two Size "B" R. S. A. Relay Boxes.	108.75
1185-6	R. S. A. Cable Pole with two Size "A" R. S. A. Relay Boxes	81.25

R. S. A. CABLE POLE PARTS



Trade No.	DESCRIPTION	List Price
1180-5	Base complete for Cable Poles with Relay Box as shown	\$6.25
1180-6	“ “ “ “ “ as shown	5.50
1180-1	Half Base for Wire Leadout as shown	3.00
1180-2	“ “ “ “ “ as shown	2.50
1180-3	Cap for Wire Leadout50
1180-4	$\frac{5}{8}$ " x 4" Hex. Hd. Mach. Bolt and Nut15
1185-11	$3\frac{1}{2}$ " Pipe Post, (4" O. D.) 8' $7\frac{1}{2}$ " long	8.00
1181-4	Pinnacle for $3\frac{1}{2}$ " Pipe complete with Bushing and Set Screw	3.00
1181-1	“ “ only	2.50
1181-2	Bushing only for $3\frac{1}{2}$ " Pipe75
1181-3	$\frac{1}{2}$ " x $1\frac{1}{2}$ " Set Screw with Half Thick Nut06
1182-67	Messenger Wire Clamp for $3\frac{1}{2}$ " Pipe, complete with Bolt75
1182-69	“ “ only70
150-5	$\frac{1}{2}$ " x 2" Sq. Hd. Mach. Bolt and Nut08
1185-12	$2\frac{1}{2}$ " Pipe Post, $2\frac{7}{8}$ " O. D., 2' $\frac{1}{2}$ " long	1.20
1185-16	$2\frac{1}{2}$ " “ “ $2\frac{7}{8}$ " “ 3' “ “	1.75
1185-13	$2\frac{1}{2}$ " Threaded Pipe Nipple, $2\frac{7}{8}$ " O. D., $7\frac{1}{4}$ " long50
1182-37	Hood for above complete with Bolts	2.50
1182-38	“ Back Half	1.75
1182-39	“ Front Half75
1182-66	$\frac{1}{2}$ " x $1\frac{3}{4}$ " Sq. Hd. Mach. Bolt and Nut06
1182-64	Clamp for fastening Relay Box to Post, complete with two Bolts80
1182-40	“ “ only65
30-4	$\frac{3}{4}$ " x 2" Sq. Hd. Mach. Bolt and Nut08

FOUNDATION BASES



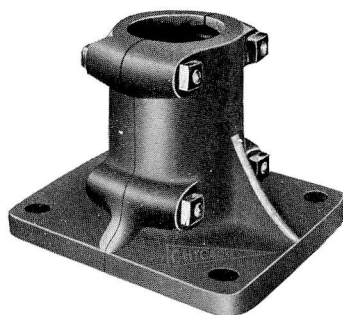
Style A

Base for Concrete Foundations



Style B

Underground Base



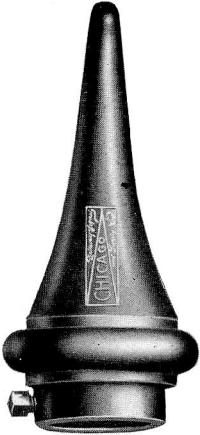
Style C

Base for Concrete Foundations

Above Bases are especially designed for use with Cable Posts, Relay Box Posts and Highway Crossing Signals. They are made of best gray iron and have self-centering pipe supports and round edges where wires enter.

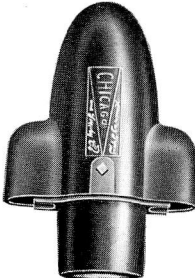
Trade No.	DESCRIPTION	List Price
130	Style A Base as shown for 3½" O. D. Pipe, 11" square with 8" center bolt holes.	\$5. 25
129	Style A Base as shown for 2⅞" O. D. Pipe, 11" square with 8" center bolt holes.	5. 00
131	Style A Base as shown for 4½" O. D. Pipe, 11" square with 8" center bolt holes.	5. 50
132	Style C Base as shown for four Side Bolts for 3½" O. D. Pipe, 8" square, 6" center bolt holes.	5. 75
140	Style C Base as shown for four Side Bolts for 2⅞" O. D. Pipe, 6" square, 4½" center bolt holes.	5. 50
133	Style C Base as shown for four Side Bolts for 4½" O. D. Pipe, 10¼" square, 8" center bolt holes.	6. 00
136-1	Style B Base as shown for 2½" Pipe, 2⅞" O. D.	6. 00
136	" " " " " " 3" " 3½" "	6. 00
137	" " " " " " 4" " 4½" "	6. 50
137-1	" " " " " " 5" " 5⅞" "	6. 85
136-2	" " " " " " 6" " 6⅝" "	8. 75

PINNACLES, CABLE OUTLETS, VENTILATORS



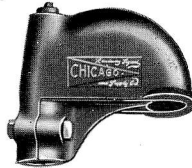
Pinnacles

- 900 for 3" Pipe
- 901 " 4" "
- 902 " 6" "
- 1050 " 5" "
- 1051 " 5" "



Cable Pinnacles

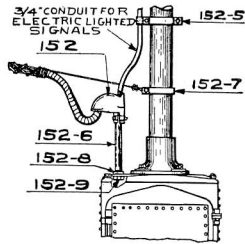
- 150 for 3" Pipe
- 151 " 4" "



Cable Outlet For Signal Cases, etc.



Relay Box and Signal Case Ventilator, No. 189



Illustrating method of Cable Outlets as used on Bottom Post Signals

Trade No.	DESCRIPTION	List Price
900	Pinnacle complete with Set Screw for 3" (3 1/2" O. D.) Pipe ..	\$2.25
901	" " " " " " 4" (4 1/2" O. D.) " ..	2.40
902	" " " " " " 6" (6 5/8" O. D.) " ..	3.40
1050	R. S. A. Pinnacle complete with Set Screw for 5" (5 9/16" O. D.) Pipe ..	2.70
1051	R. S. A. Pinnacle complete with Set Screw for 5" (5 9/16" O. D.) Pipe ..	2.70
150	Cable Pinnacle complete for 3" (3 1/2" O. D.) Pipe ..	3.00
151	" " " " " " 4" (4 1/2" O. D.) " ..	3.00
150-2	" " Cap with Set Screw for No. 150 and 151 ..	2.50
152	" Outlet complete, upper Plug and Bolts ..	1.25
152-1	Cap for above ..	1.00
152-2	Bottom Half for No. 152 ..	.08
152-3	3/4" Plug for No. 152-1 ..	.08
152-4	Hexagon Bolt and Nut for No. 152, each ..	1.10
152-5	Clamp complete with two bolts for holding 3/4" Conduit (for electric light wires) ..	.50
152-6	One foot, threaded 1 1/2" Pipe for Cable Outlet ..	.80
152-7	Clamp complete with Bolt for Guy Wire ..	.80
152-8	1 1/2" Lock Nut for Top of Signal Case to hold No. 152-6 ..	.80
152-9	1 1/2" Bushing for end of 152-6 in Signal Case ..	1.20
189	Ventilator (Dust and Waterproof) for Signal Cases, Relay Boxes, etc., complete with Brass inner Screen and three Bolts ..	1.20